



Expanding Your Solutions

Corporate Headquarters
13191 Crossroads Pkwy N., Ste 325
City of Industry, CA 91746
Phone: 800.775.2362
Fax: 626.330.7598

Manufacturing Facilities
City of Industry, CA
Denver, CO
Ft. Worth, TX
Pittsburg, CA

Structural Engineering/Design
1001-A Pittsburgh Antioch Hwy
Pittsburg, CA 94565
Phone: 800.775.2362
Fax: 626.330.7598

Technical Services
13191 Crossroads Pkwy N., Ste 325
City of Industry, CA 91746
Phone: 800.416.2278
Fax: 626.249.5004

CEMCO FIRE BEAD (FIRE RATED DEFLECTION BEAD)

Product Description

CEMCO FIRE BEAD is a fire rated wall mount deflection bead that provides 1- and 2-hour fire-ratings for both dynamic and static joints according to **UL-2079 5th edition** (for both standard walls and shaft walls) and is sound tested according to ASTM E90. Sound Reports available upon request.

- **FIRE BEAD** provides BOTH 1- and 2-hour fire ratings.
 - The 1-hour profile has a 1/2" gasket with a 5/8" flexible horizontal return leg.
 - The 2-hour profile has a 1/2" gasket with a 1-1/4" flexible horizontal return leg.
 - Provides an L-rating less than 1 CFM/Lin Ft for ambient and 400 degrees F.
- **FIRE BEAD** is installed fully cured, is not affected by water or moisture and has no temperature restrictions for installation.
- **FIRE BEAD** has 2 separate compressible sealing points, one against the concrete deck and one against the framing member to prevent sound flanking.
- **FIRE BEAD** has a pink perforated mud leg to indicate to the installer and inspector that the vinyl accessory is fire rated.
- **FIRE BEAD** will stay flexible for the life of the assembly.

FIRE BEAD Installation: Install drywall no more than 5/8" down from concrete or adjoining structure. Install the FIRE BEAD with 847 Spray Adhesive and staple the mud leg with 1/2" staple every 6-8". Apply joint compound and prior to the final sanding remove the tear off strip for a clean and crisp finish. FIRE BEAD is designed to be attached to the drywall and compressed against the concrete deck or adjoining structure. The flexible gasket compresses with deflection movement to prevent cracking at the head of wall, bottom of wall or vertical wall to wall joints.

Finishing: Always use a high-quality paint.

Advantages: Composite vinyl/intumescent firestopping accessory that is fully cured. Comes in 10' lengths with a 5/16" tear off leg that acts as a guide to apply joint compound without masking off adjoining surfaces. Made from rust proof, dent resistant PVC to reduce jobsite and handling damage. Does not contain cellulose, a potential food source for mold, and provides an unlimited shelf life.

Packaging

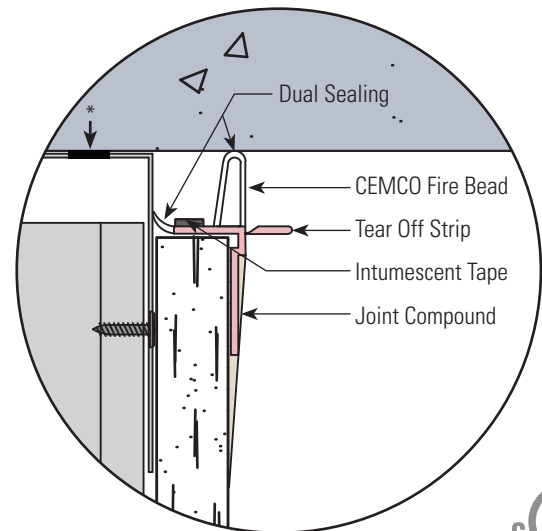
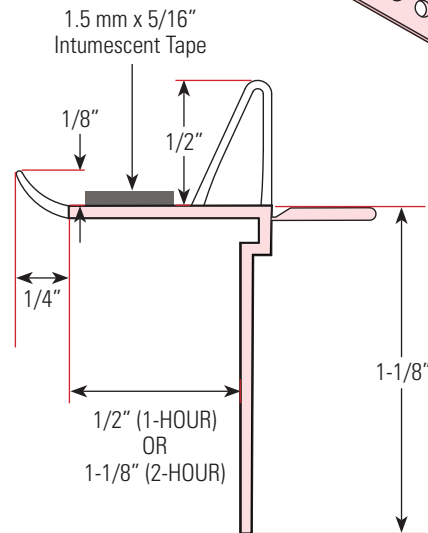
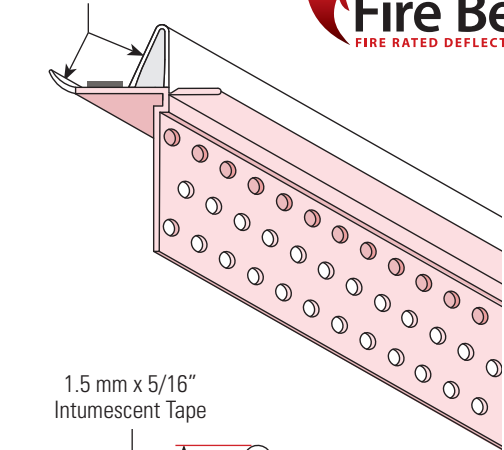
- 10'-0" lengths; (1-HOUR PROFILE) 12 pieces per box (2-HOUR PROFILE) 12 pieces per box, 40 boxes per pallet.
- When properly stored indoors, and in original packaging FIRE BEAD will not break-down and has no expiration date.

ASTM & Code Standards

- ASTM E 1966: Standard Test Method of Fire Tests of Firestop Systems – **UL 2079 5th Edition** Tests for Fire Resistance of Building Joints.
- ASTM E-119 Standard Test Methods for Fire Tests of Building Construction and Material.
- UL ER25033-01
- Sound Tested in accordance with ASTM E90-09.
- Air leakage tests conducted for compliance with Section 713.6 of IBC and CBC.
- Intumescent Firestopping tested per ASTM E 84 UL723, Flame Spread 5, Smoke Index 5.
- UL listings/approvals – HW-D-0624; HW-D-0625; HW-D-0554; HW-D-0550; BW-S-0024; WW-D-0104.
- **U.S. Pat. 11,111,666**

* Optional bead of sealant can be applied to the web of the track prior to installation to seal off any potential gaps between the track and the concrete.

Flexible Material 70 Durometer



Technical Services

Technical Services: 800.416.2278
Structural Engineering/Design: 925.473.9340
www.cemcosteel.com



This technical information reflects the most current information available and supersedes any and all previous publications effective February 17, 2022.

02-17-22 AT