



Expanding Your Solutions

**Corporate Headquarters**  
13191 Crossroads Pkwy N., Ste 325  
City of Industry, CA 91746  
Phone: 800.775.2362  
Fax: 626.330.7598

**Manufacturing Facilities**  
City of Industry, CA  
Denver, CO  
Ft. Worth, TX  
Pittsburg, CA

**Structural Engineering/Design**  
1001-A Pittsburgh Antioch Hwy  
Pittsburg, CA 94565  
Phone: 800.775.2362  
Fax: 626.330.7598

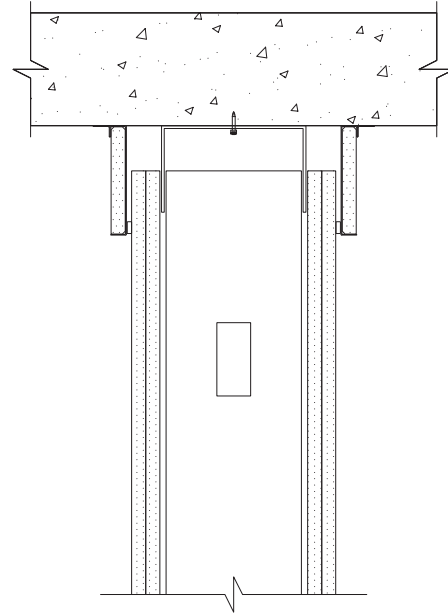
**Technical Services**  
13191 Crossroads Pkwy N., Ste 325  
City of Industry, CA 91746  
Phone: 800.416.2278  
Fax: 626.249.5004

## CEMCO FireRip™ (High Deflection Dynamic Joint Protection)

### Product Description

CEMCO FireRip™ is a composite steel angle incased in fire-rated drywall that provides unencumbered dynamic movement per **UL-2079 5th edition**. FireRip comes in 8' lengths and 3 different sizes to provide unencumbered fire-rated joint protection for 2", 3", and 4" wide joints.

- **FireRip:** is mechanically fastened to the overhead structure at 24" on center through the horizontal attachment flange. The encased drywall leg is set against the finished drywall concealing the deflection gap at the head of wall.
- **FireRip:** provides one, two, and three-hour fire ratings from a single layer profile.
- **FireRip:** install joining pieces in contact to each other. Visible gaps must be sealed with UL fire-rated fire sealant
- **FireRip:** when properly installed, does not require any additional fire sealant or fire spray to maintain fire ratings per UL-2079.
- **FireRip:** can be used as a retrofit to repair damaged fire-rated fill material or to replace fire-rated fill material that was improperly installed.
- **FireRip:** installs over the finish layer of drywall on both sides on a standard wall and on just one side (finish drywall/non shaft side) of a shaft wall.
- **FireRip:** provides L-rating of less than 1CFM.
- **FireRip:** can be used with any UL certified deep leg or slotted leg track.
- **FireRip:**
  - FR2 (1-1/4" x 2-3/4") provides 2" unencumbered movement.
  - FR3 (1-1/4" x 3-3/4") provides 3" unencumbered movement.
  - FR4 (1-1/4" x 4-3/4") provides 4" unencumbered movement.

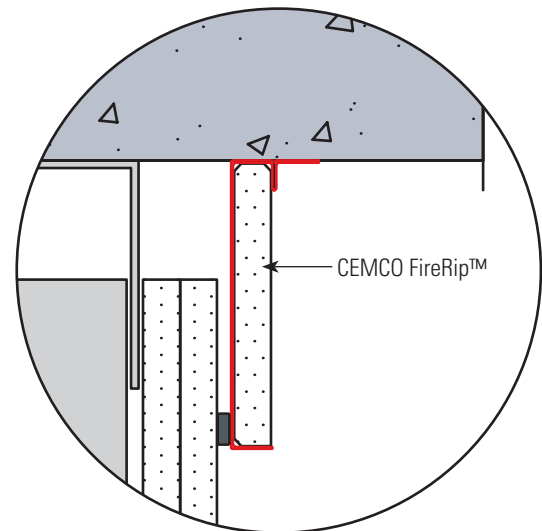


### Packaging

- 8'-0" lengths – 4 pieces per bundle – 32' per bundle.
- When properly stored indoors in original packaging FireRip will not breakdown and has no expiration date.

### ASTM & Code Standards

- ASTM E 1966: Standard Test Method of Fire Tests of Firestop Systems – UL 2079 5th Edition Tests for Fire Resistance of Building Joints.
- ASTM E-119 Standard Test Methods for Fire Tests of Building Construction and Material.
- UL ER25033
- Air leakage tests conducted for compliance with Section 713.6 of IBC and CBC.
- UL listings/approvals: HW-D-0420; HW-D-0421; HW-D-1096; HW-D-0451; HW-D-0453; HW-D-0461; HW-D-0463; HW-D-0582; HW-D-0584; HW-D-0587; HW-D-0594; HW-D-0602; HW-D-0585; HW-D-0652; HW-D-0653; HW-D-0622
- **Patent Pending**



### Technical Services

Technical Services: 800.416.2278  
Structural Engineering/Design: 925.473.9340  
www.cemcosteel.com



This technical information reflects the most current information available and supersedes any and all previous publications effective May 16, 2022.

05-16-22 AT